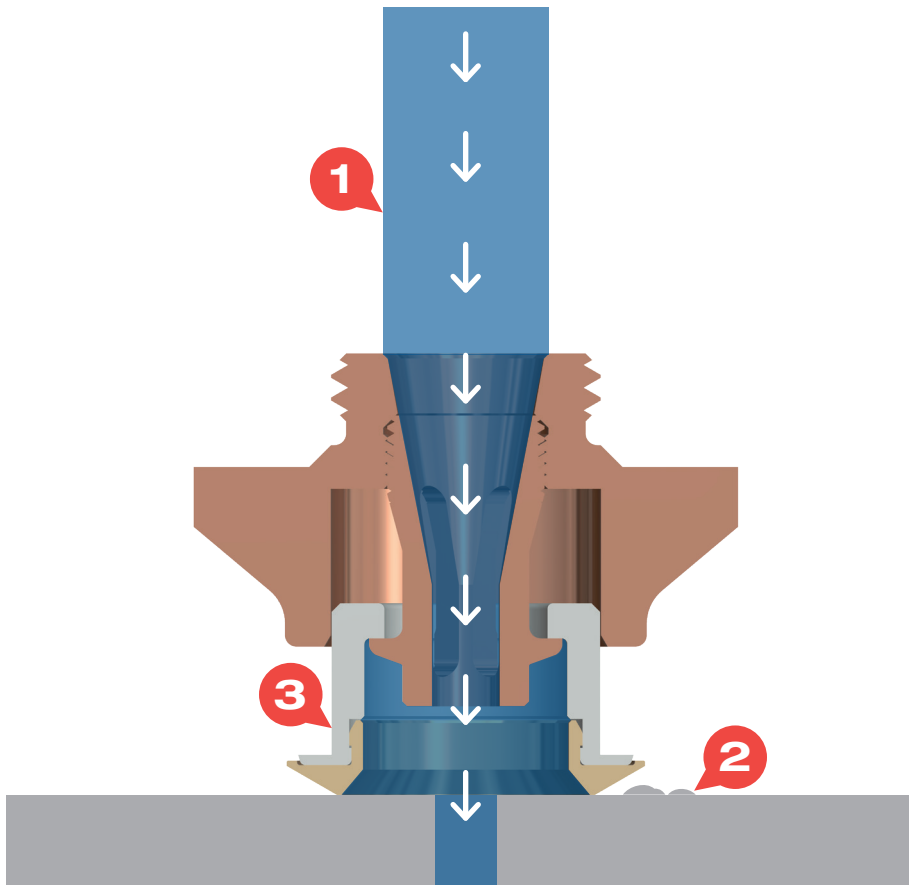
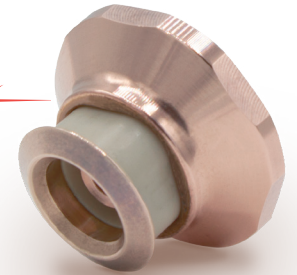


**GEN<sup>™</sup> DESIGN**



**GEN<sup>™</sup>**



**LASER NOZZLE**

**1 Extremely Economical**

- Uses up to 70% less cutting gas
- Up to 60% less cutting gas pressure

**2 Extremely Robust**

- Not sensitive to spatter and collisions
- Ability to cut over closely nested parts

**3 Patent Pending Design**

- Square Sleeve
- Tapered inner nozzle design prevents loosening
- Reduced number of sleeve changes

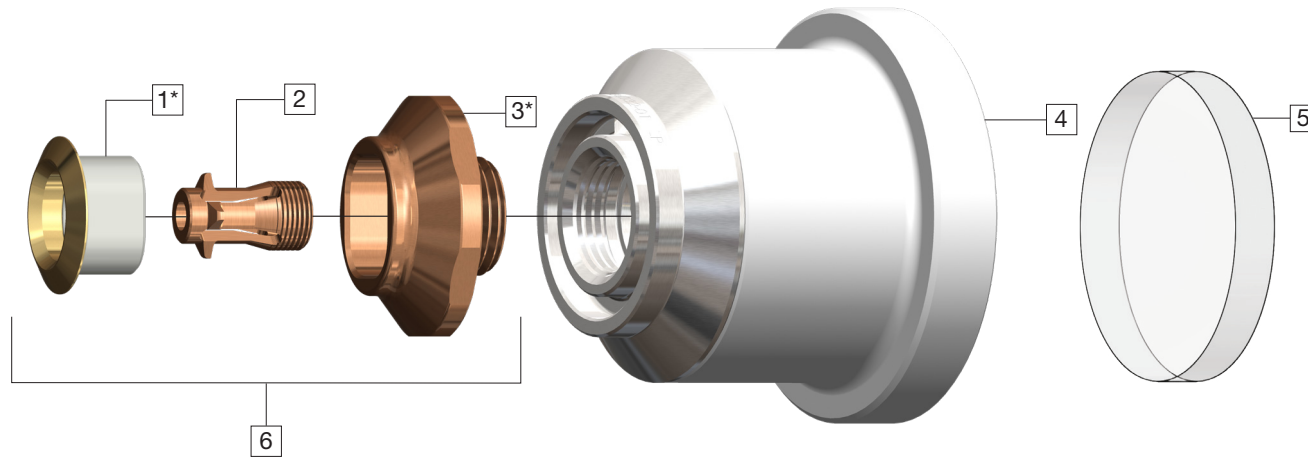
**AMERICAN TORCH TIP<sup>®</sup>**

6212 29th Street East, Bradenton, FL

941-753-7557

Sales@attcusa.com

AmericanTorchTip.com



GEN™ NOZZLE		
Pos	Part #	Name
1	2284349ATTC*	Nozzle Sleeve
2	2228802ATTC	Inner Nozzle
3	2228806ATTC*	Nozzle Body
4	1906032	Nozzle Holder
5	766719	30mm x 5mm Fused Silica Protective Window
6	2228800ATTC	Complete Nozzle Assembly

\* Parts marked with an asterisk must be used together.