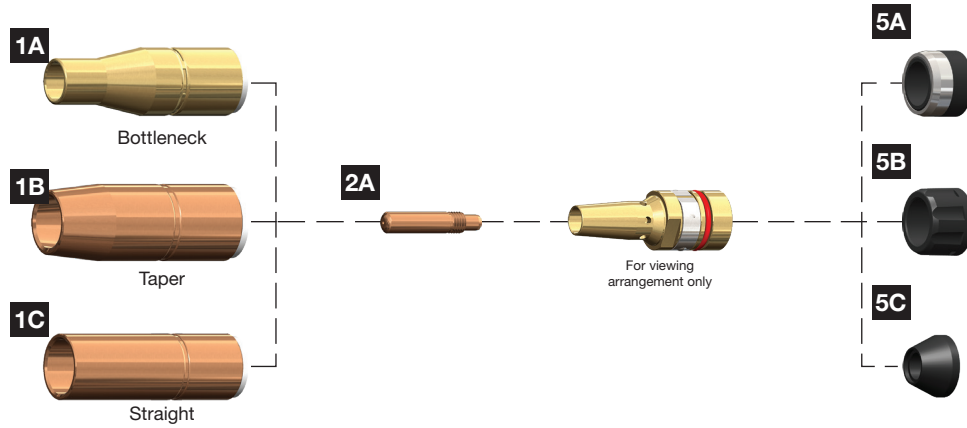


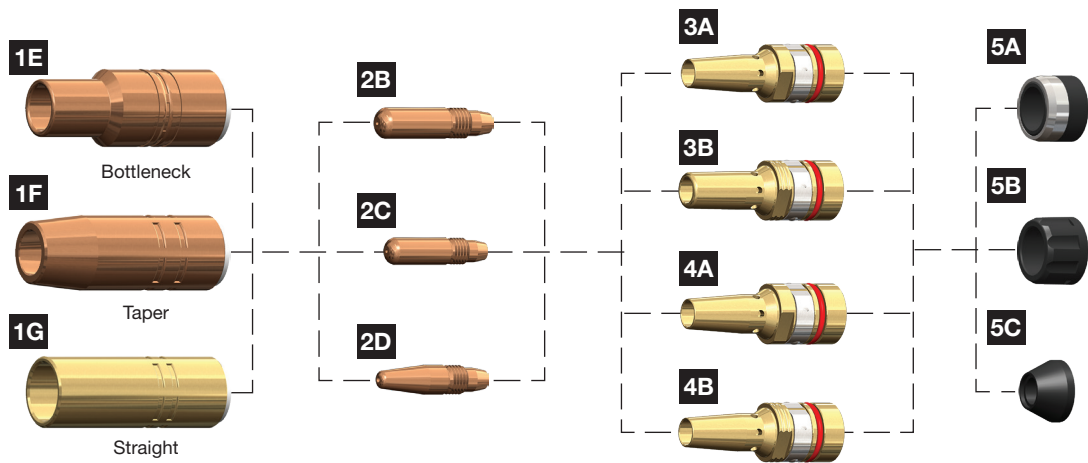
TREGASKISS® STYLE

COMPATIBLE WITH TOUGH LOCK®†

STANDARD DUTY (SD) SERIES



HEAVY DUTY (HD) SERIES



All contact tips come in packages of 10.

COMPATIBLE WITH TOUGH LOCK®†
1. NOZZLES I.D. O.D.
STANDARD DUTY AIR-COOLED (SLIP-ON)

A	401-42-50	use 63-2950-B	Brass	1/8" Recess	1/2"	0.938"
	401-48-50	use 64-2950	Brass	1/8" Stick-out	1/2"	0.938"
B	401-4-38	use 63-2138	Copper	Flush	3/8"	0.938"
	401-44-62	use 63-2762	Copper	1/4" Stick-out	5/8"	0.938"
	401-4-50	use 63-2150	Copper	1/8" Recess	1/2"	0.938"
	401-4-62	use 63-2162	Copper	1/8" Recess	5/8"	0.938"
	401-8-62	use 63-2662	Copper	1/8" Stick-out	5/8"	0.938"
	401-8-62	use 63-2662	Copper	1/8" Stick-out	5/8"	0.938"
C	401-4-75	use 63-2175	Copper	1/8" Recess	3/4"	0.938"

STANDARD DUTY AIR-COOLED (THREAD-ON) †

D	401-18-62	use 63-2662-T	Copper	1/8" Stick-out	5/8"	0.938"
---	-----------	---------------	--------	----------------	------	--------

HEAVY DUTY (HD) AIR-COOLED (SLIP-ON)

E	401-48-62	use 64-2962	Copper	Flush	5/8"	1.062"
	401-49-62	use 64-2962-S	Copper	1/8" Stick-out	5/8"	1.062"
F	401-5-62	use 64-2562	Copper	1/4" Recess	5/8"	1.062"
	401-5-75	use 64-2575	Copper	1/4" Recess	3/4"	1.062"
	401-6-50	use 65-2550	Copper	1/8" Recess	1/2"	1.062"
	401-6-62	use 65-2562	Copper	1/8" Recess	5/8"	1.062"
	401-6-75	use 65-2575	Copper	1/8" Recess	3/4"	1.062"
	401-71-62	use 63-2362	Brass	1/8" Recess	5/8"	1.106"
	401-7-62		Brass	1/4" Recess	3/4"	1.106"
	401-7-75	use 65-2375	Brass	1/8" Recess	5/8"	1.106"
	401-81-62	use 65-2662	Copper	1/8" Stick-out	5/8"	1.062"
	401-87-62	use 65-2362	Brass	1/8" Stick-out	5/8"	1.062"
	401-88-62	use 65-2862	Brass	Flush	5/8"	1.106"
G	401-7-87	use 64-2387	Brass	1/4" Recess	7/8"	1.106"

HEAVY DUTY AIR-COOLED (THREAD-ON)

H	401-18-62	use 65-2562-T	Copper	1/8" Recess	5/8"	1.062"
---	-----------	---------------	--------	-------------	------	--------

HEAVY DUTY WATER-COOLED

I	601-5-62	Nickel-Plated	Bronze	1/4" Recess	5/8"	1.225"
---	----------	---------------	--------	-------------	------	--------

All nozzles come in packages of 2.

2. CONTACT TIPS I.D.
STANDARD DUTY (SD) TIPS

A	403-14-30	.030"	(0.8 mm)	.037"
	403-14-35	.035"	(0.9 mm)	.043"

EXTENDED LIFE TIPS (CHROME ZIRCONIUM)

B	403-27-30	.030"	(0.8 mm)	.037"
	403-27-35	.035"	(0.9 mm)	.040"
	403-27-45	.045"	(1.2 mm)	.050"
	403-27-52	.052"	(1.3 mm)	.059"
	403-27-116	1/16"	(1.6 mm)	.070"

HEAVY DUTY (HD) TIPS

C	403-20-30	.030"	(0.8 mm)	.037"
	403-20-35	.035"	(0.9 mm)	.043"
	403-20-1.0	.040"	(1.0 mm)	.048"
	403-20-45	.045"	(1.2 mm)	.055"
	403-20-364	3/64"	(1.2 mm)	.060"
	403-20-52	.052"	(1.3 mm)	.063"
	403-20-116	1/16"	(1.6 mm)	.073"
	403-20-564	5/64"	(2.0 mm)	.093"
	403-20-332	3/32"	(2.4 mm)	.110"

CONTACT TIPS CONTINUED ON RIGHT

2. CONTACT TIPS (CONTINUED)
HD TAPERED TIPS

D	403-21-30	.030", Tapered	(0.8 mm)	.037"
	403-21-35	.035", Tapered	(0.9 mm)	.043"
	403-21-45	.045", Tapered	(1.2 mm)	.055"
	403-21-52	.052", Tapered	(1.3 mm)	.063"

All contact tips come in packages of 10.

3. RETAINING HEADS/DIFFUSERS SEMI-AUTOMATIC

A	404-20	Heavy Duty	Single Taper
B	404-26	Heavy Duty	Dual Taper

4. RETAINING HEADS/DIFFUSERS ROBOTIC

A	404-30	Heavy Duty	Single Taper
B	404-32	Heavy Duty	Dual Taper
C	404-52	Heavy Duty	Thread On

All heads/diffusers come in packages of 5.

5. NECK INSULATORS

A	402-11	use 63-6202-HD	Neck Insulator
B	402-7	use 63-6103	Neck Insulator
C	10012		Neck Insulator